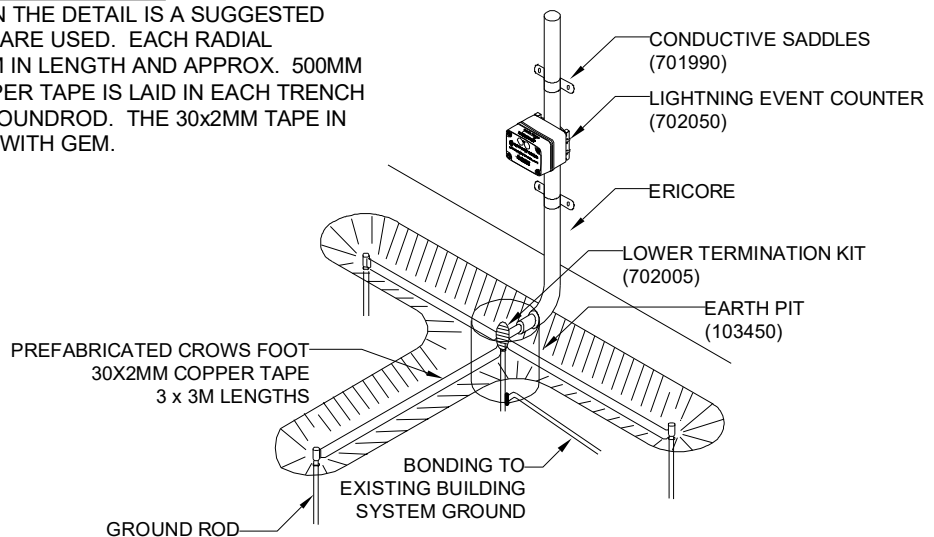


SUGGESTED 3 RADIAL GROUING SYSTEM

THE GROUING SHOWN IN THE DETAIL IS A SUGGESTED LAYOUT WHERE 3 RADIALS ARE USED. EACH RADIAL CONSISTS OF A TRENCH 3M IN LENGTH AND APPROX. 500MM DEEP. 3M OF 30x2MM COPPER TAPE IS LAID IN EACH TRENCH AND IS ATTACHED TO A GROUNDROD. THE 30x2MM TAPE IN EACH TRENCH IS TREATED WITH GEM.



NOTE:
THIS IS ONE OF SEVERAL ALTERNATIVE INSTALLATION METHODS. SEE SYSTEM3000 INSTALLATION HANDBOOK FOR FURTHER DETAILS. CONSULT HANDBOOK BEFORE ERECTION.

ERICO®

DYNASPHERE MKIV INSTALLATION GUIDE
FOR GUYED MAST
SYSTEM3000 MKIV GYD 1 EURO.DWG